

MAFF401AD / DM series

AIR UNITS (Mist / Micromist Filter)



Specification:

Model	MAFF401AD	MAFF401DM
Bore No.	8A, 10A, 15A	
Port size	PT 1/4, PT 3/8, PT 1/2	
Medium	Air	
Operating pressure range	0~15 kgf/cm ² (0~1.5 MPa)	
Proof pressure	20 kgf/cm ² (2 MPa)	
Ambient temperature	-5~+60℃ (No freezing)	
Filtration	5 μm+0.3 μm	0.3 μm+0.01 μm
Weight	1133 g	

※ Standard unit contains semi-auto-drain function when operating pressure below 0.5 kgf/cm²

Order example:

MAFF401AD - 8A - □ - B - BSP

MODEL

BORE SIZE

Blank: standard type
B: C type bracket

FILTRATION

AD: 5 μm+0.3 μm
DM: 0.3 μm+0.01 μm

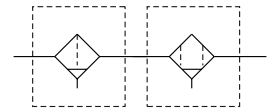
D: auto drain valve

PORT THREAD

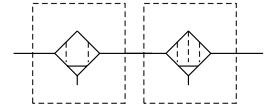
Blank: PT thread
BSP: BSP thread
NPT: NPT thread

Symbol:

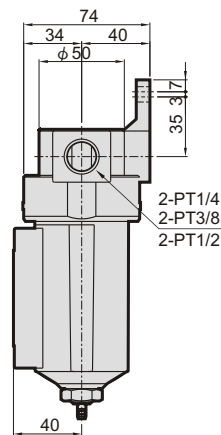
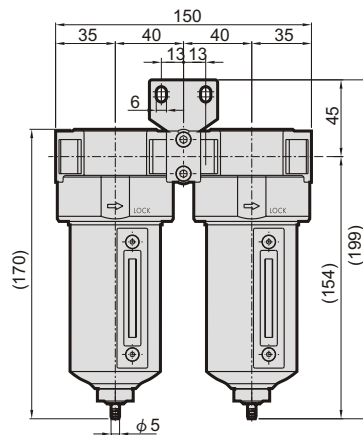
AD :



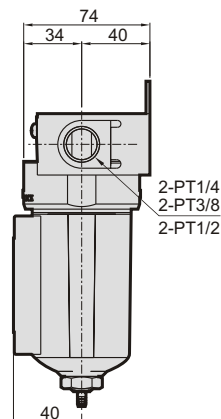
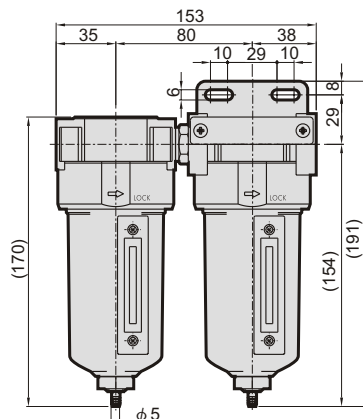
DM :



MAFF401**



MAFF401**-B



MAF*401* / MATFR401 series

AIR UNITS (Air / Mist / Micromist Filter)

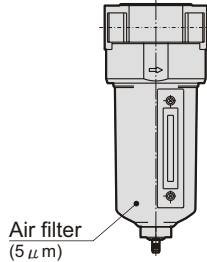


MAF401A

Symbol



Symbol for auto drain type



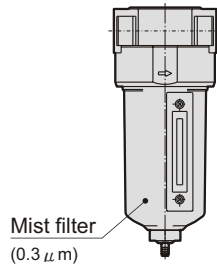
Model	Air filter (5 μm)	Mist filter (0.3 μm)	Micromist filter (0.01 μm)	Regulator
MAF401A	●			
MAF401D		●		
MAF401M			●	
MAFF401AD	●	●		
MAFF401DM		●	●	
MAFRF401	●	●		●
MATFR401	●	●	●	●

MAF401D

Symbol



Symbol for auto drain type

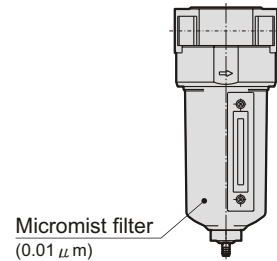


MAF401M

Symbol

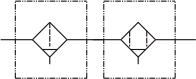


Symbol for auto drain type

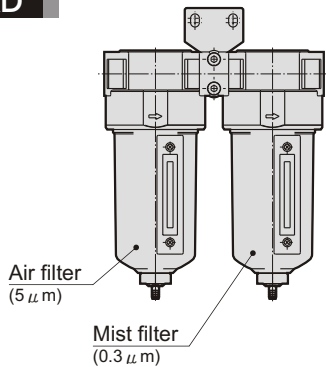
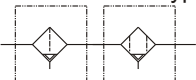


MAFF401AD

Symbol

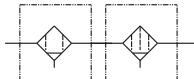


Symbol for auto drain type

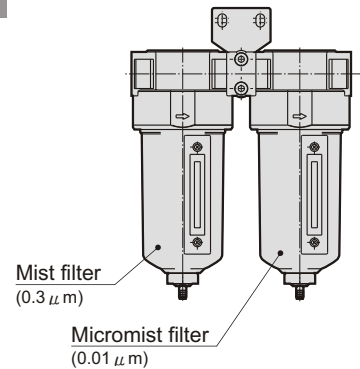
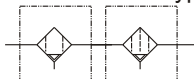


MAFF401DM

Symbol

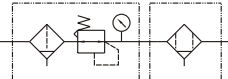


Symbol for auto drain type

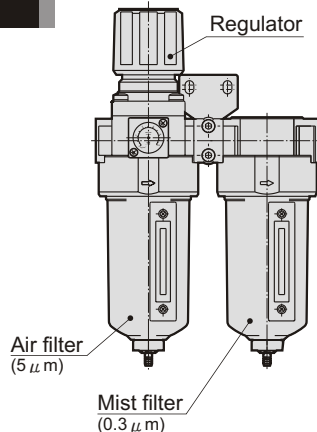
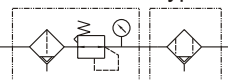


MAFRF401

Symbol

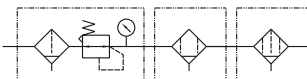


Symbol for auto drain type



MATFR401

Symbol



Symbol for auto drain type

